

APPLICATION NOTE

Document Title Electromagnetic Door Retainer Model DR-24

Date February 2002

Version AP045/ISS 1

APPLICATION NOTE

DR-24 Electromagnetic Door Retainer.

Description

Mounted on a fixed surface, this surface-mounted electromagnetic door retainer ensures retention of the door by means of a smart metallic keeper plate. It is designed to hold open fire doors and is ideally suited for hospitals, schools and other public buildings. In a fire situation, the doors can be released automatically via a connection to the fire alarm system or manually by activating the release button.

Features

- ❑ 24Vdc
- ❑ Surface mounted
- ❑ Powerful 200 Newton holding force
- ❑ Swivel keeper plate
- ❑ Spring-loaded ejector pin
- ❑ Manual release button

Dimensions and Fixing Centres

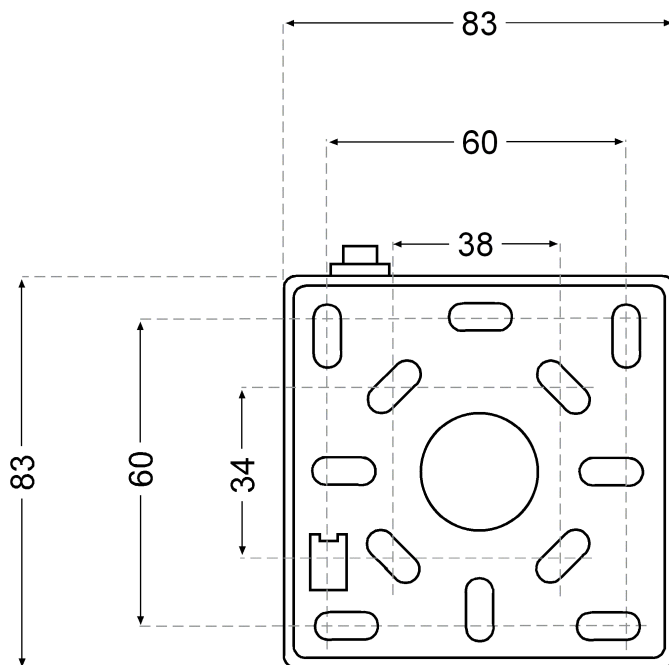


Fig 1 - Surface Retainer Back Box (front)

Dimensions and Fixing Centres (contd)

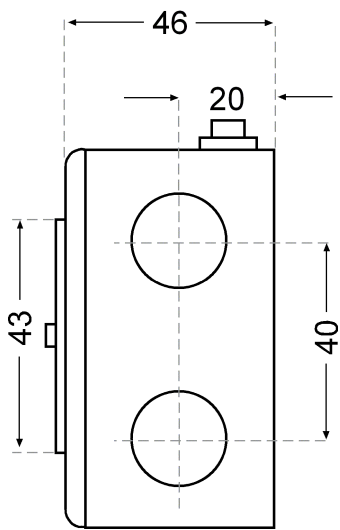


Fig 2 - Surface Retainer Back Box (side)

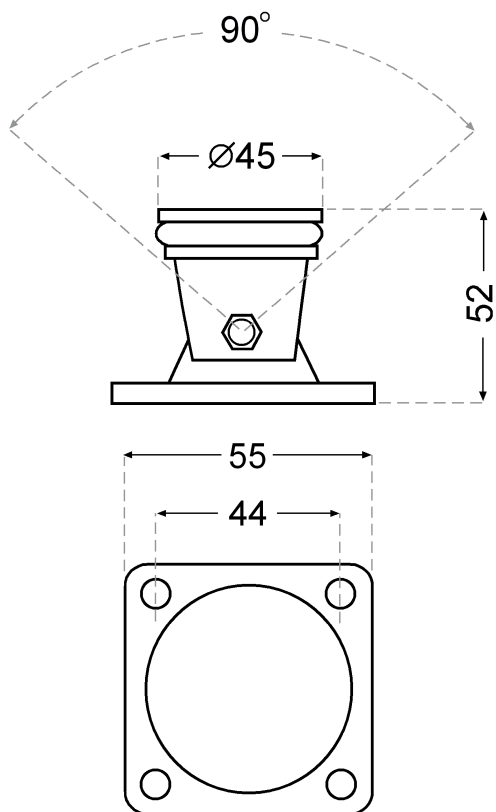


Fig 3 - Swivel Keeper Plate